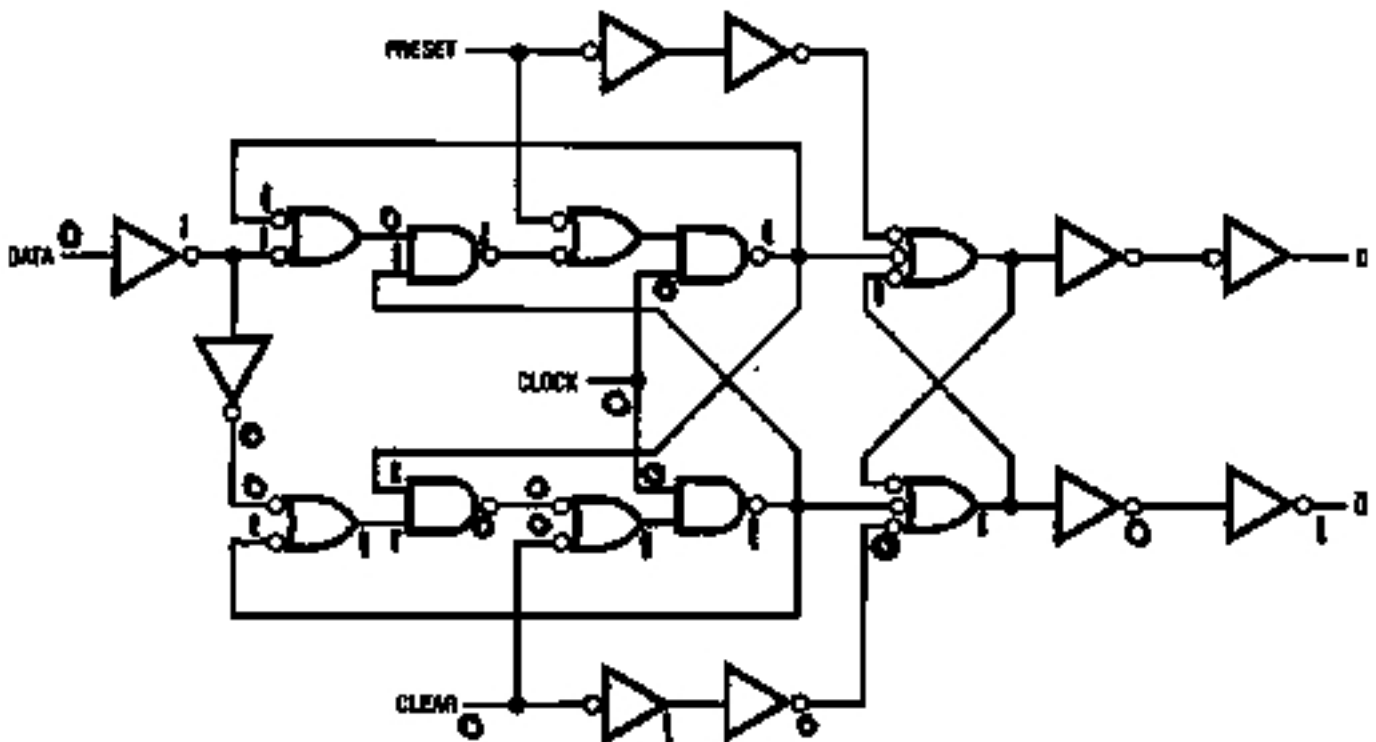


## 2-chip VFO + stabiliser

Written by Hans Summers

Friday, 04 September 2009 22:09 - Last Updated Friday, 04 September 2009 22:13

---



Two great conceptual leaps make this design possible. The first is the use of a much lower frequency crystal than normal, such that the 14 stages of division available in a single 74HC4060 used as oscillator and divider, are sufficient to obtain a low enough frequency for the Huff & Puff latch. The second is an innovative way to make one flip flop of the 74HC74 behave as an inverter, which can then be used to create an oscillator.

Usually the Huff & Puff stabiliser requires a latch to store the VFO state at precise intervals. A latch implies the use of a 74HC74 dual D-type flip flop IC. Somehow I had the idea that the spare flip flop in the IC might be configured to behave as an inverter. A study of the 74HC74 datasheet revealed that this is indeed the case: when D, CLK and /MR (clear) inputs are all held low, the signal presented to the /PR (preset) input is inverted and arrives at the Q output. The inverted output /Q remains always at 1 and cannot be used in this application.

To the right, I have inserted the internal logic diagram of a 74HC74 flip flop, from the Fairchild Semiconductor datasheet. On this diagram, I started drawing 1's and 0's at the gate inputs and outputs, based on holding D, CLK and /MR at 0. It was reasonably easy to prove that under these conditions the only thing determining the state of the Q output, is the /PR input, via gates which behave effectively as five inverters in series. Therefore the flip flop as a whole behaves as an inverter! As soon as you have an inverter, you have a possible oscillator. I originally posted my idea to the [Huff Puff oscillator forum](#) and John G0UCP verified the design before I had time to build it myself. He made some modifications to my drawn oscillator section, which had been based on a circuit I had used before with a 74LS04 oscillator, in a [30m direct conversion receiver](#).

. Thanks are therefore due to John for his oscillator modification, which I have used here.

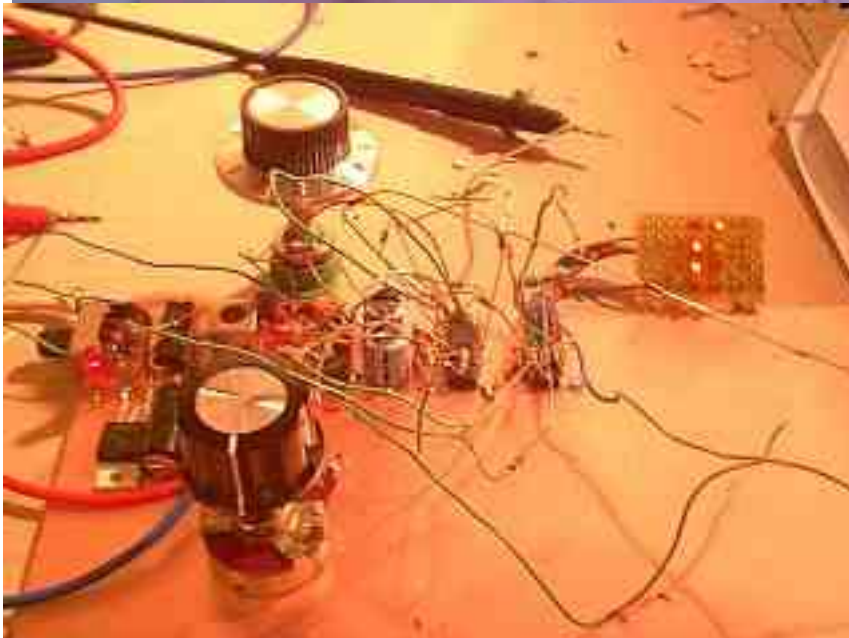
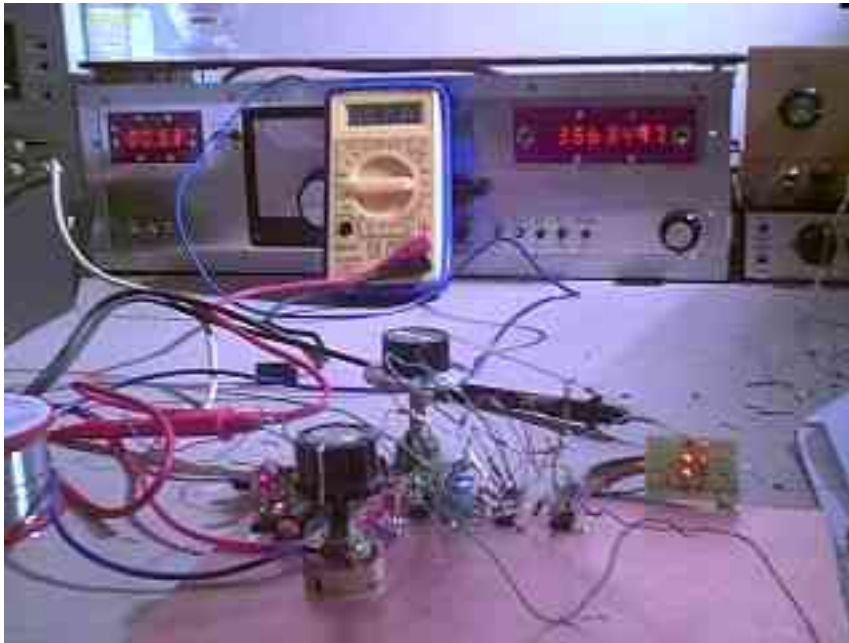
## 2-chip VFO + stabiliser

Written by Hans Summers

Friday, 04 September 2009 22:09 - Last Updated Friday, 04 September 2009 22:13

---

Here are two pictures of my workbench during development of this project. By the time these photos were taken, it was already becoming a 3-chip combined VFO / Stabiliser and Frequency counter, as you will see in the next section. Note the spaghetti of wires over the "ugly" construction board. The potentiometer towards the rear is for VFO tuning. The 500K potentiometer in the foreground is used to experiment with different integrator settings (time constant). In the background, my [Polyphase HF receiver](#) with its homebuilt frequency counter, which is being used here to measure the VFO frequency NOT the receiver's own internal reception frequency.

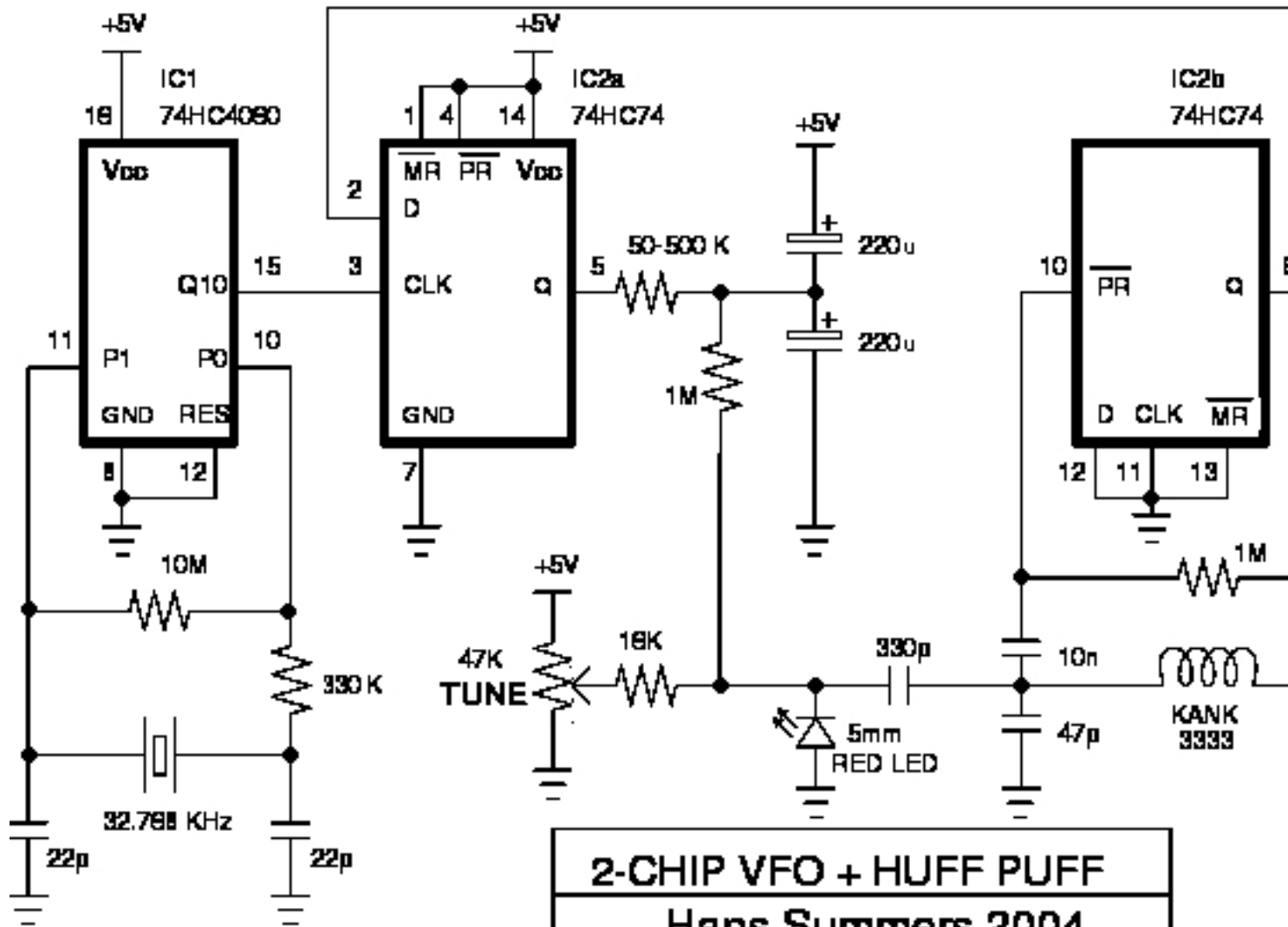


And finally here is the circuit diagram. This circuit should in fact more accurately be known as a 1.5-chip Huff Puff Stabiliser combined with a 0.5-chip VFO. I use a 10nF decoupling capacitor across each chip's supply (not shown).

## 2-chip VFO + stabiliser

Written by Hans Summers

Friday, 04 September 2009 22:09 - Last Updated Friday, 04 September 2009 22:13



**2-CHIP VFO + HUFF PUFF**  
**Hans Summers 2004**